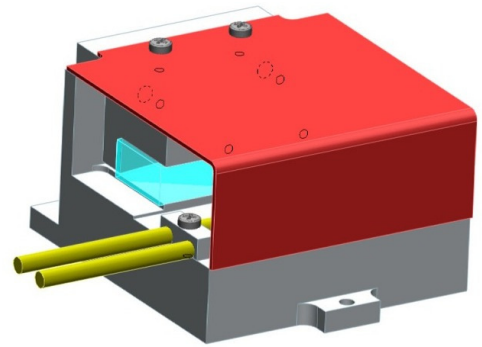


# MCQ40-A2.5-1064

# ..... AO Modulator

**AO Modulator for 1064 nm lasers**  
**Large aperture – Air cooling**  
**High Damage threshold**



## Specifications

<b>Material</b>	Crystal QUARTZ
<b>Acoustic Velocity</b>	V = 5740 m/s (L)
<b>Optical Wavelength range</b>	1064 nm
<b>Transmission</b>	> 99.5 % with hard V-coating
<b>Optical Input / Output polarizations</b>	Linear $\perp$
<b>Aperture</b>	2.5 x 2.5 mm <sup>2</sup>
<b>Carrier frequency / Frequency shift</b>	40.68 MHz (other on request)
<b>Operating mode</b>	Bragg
<b>Diffraction efficiency (with TEM00 beam, M<sup>2</sup> ≤ 1.1)</b>	> 80 % Nom 85 % (1 <sup>st</sup> order)
<b>Rise/Fall time</b>	115 ns/mm
<b>Max optical peak power density</b>	> 500 MW/cm <sup>2</sup>
<b>Separation angle (0-1)</b>	7.54 mrd
<b>Input impedance</b>	Nom 50 $\Omega$
<b>V.S.W.R.</b>	Nom < 1.2/1
<b>RF Power</b>	Nom 20 Watts
<b>RF Connector</b>	BNC
<b>Thermal security switch</b>	Short Circuit = Enable; Open Circuit Disable
<b>Heat exchange</b>	Conduction through baseplate
<b>Optical path length</b>	42 mm
<b>Size / Weight</b>	(LxHxh) 52.2 x 62 x 33.8 mm <sup>3</sup> / 50 g
<b>Operating Temperature</b>	10 to 40 °C

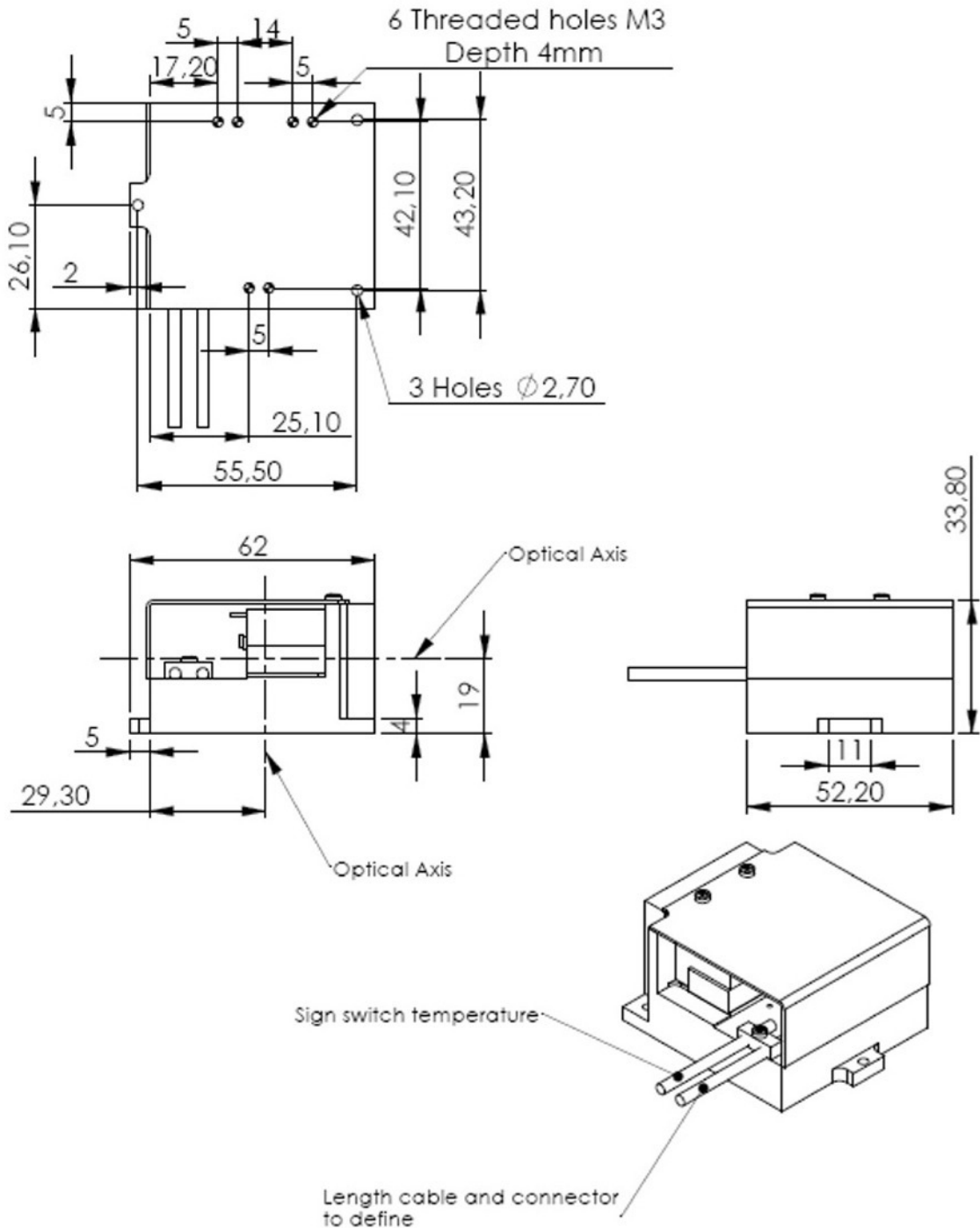
MCQ40-A2.5-1064

XX = carrier frequency 40.68 (Other on request)

Y = (aperture, mm) = 2.5 mm (other on request)

Outline Drawing

sizes in mm



AA Sa 18, rue Nicolas Appert 91898 ORSAY France  
Tel : +33 (0)1 76 91 50 12 – Fax : +33 (0)1 76 91 50 31 – [www.aaoptoelectronic.com](http://www.aaoptoelectronic.com)  
**QUANTA TECH** 116 West, 23rd Street - Suite 500 New York, NY 10011 USA  
Tel: 646 375 2452 - Fax: 866 978 2682 – [www.quanta-tech.com](http://www.quanta-tech.com)

